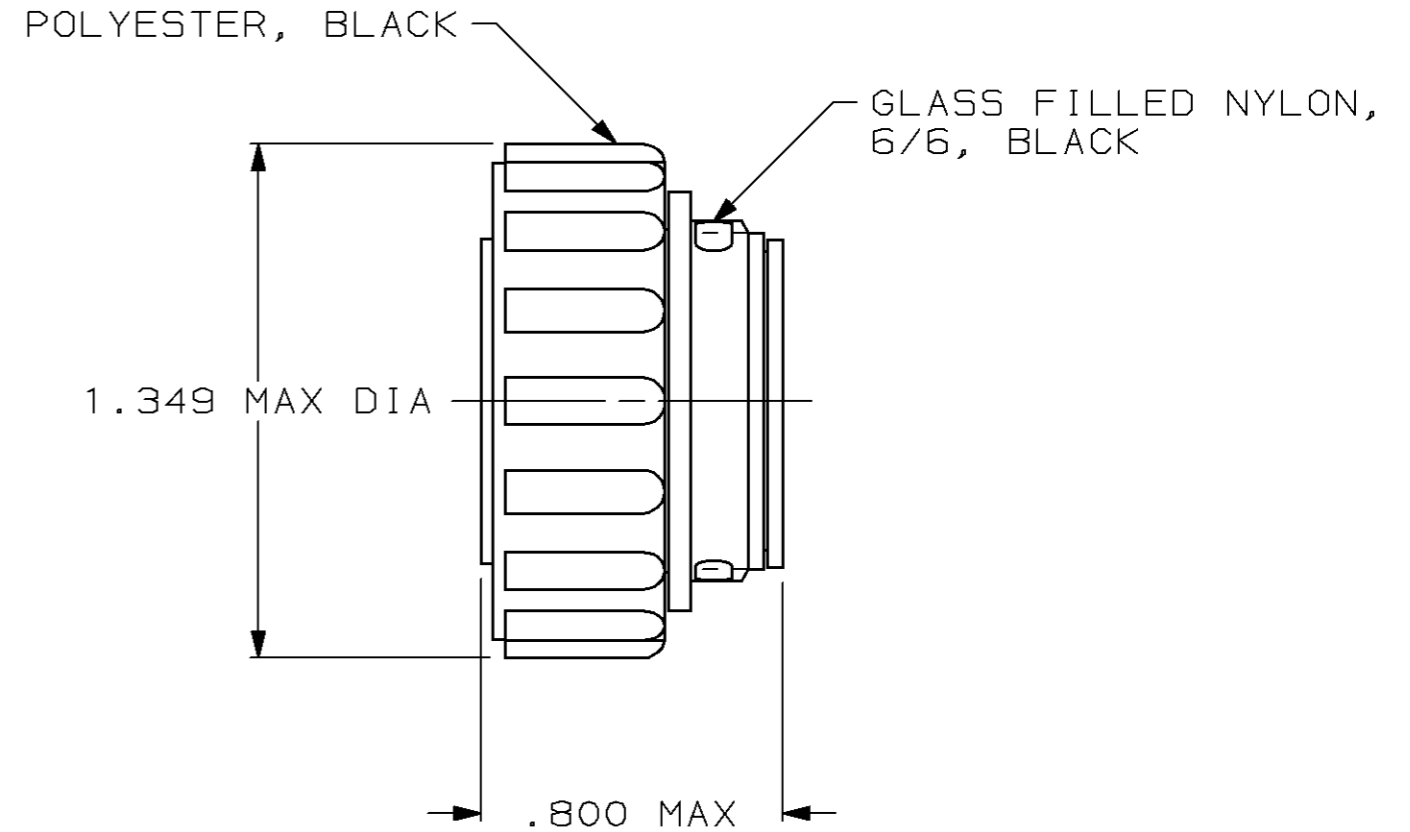
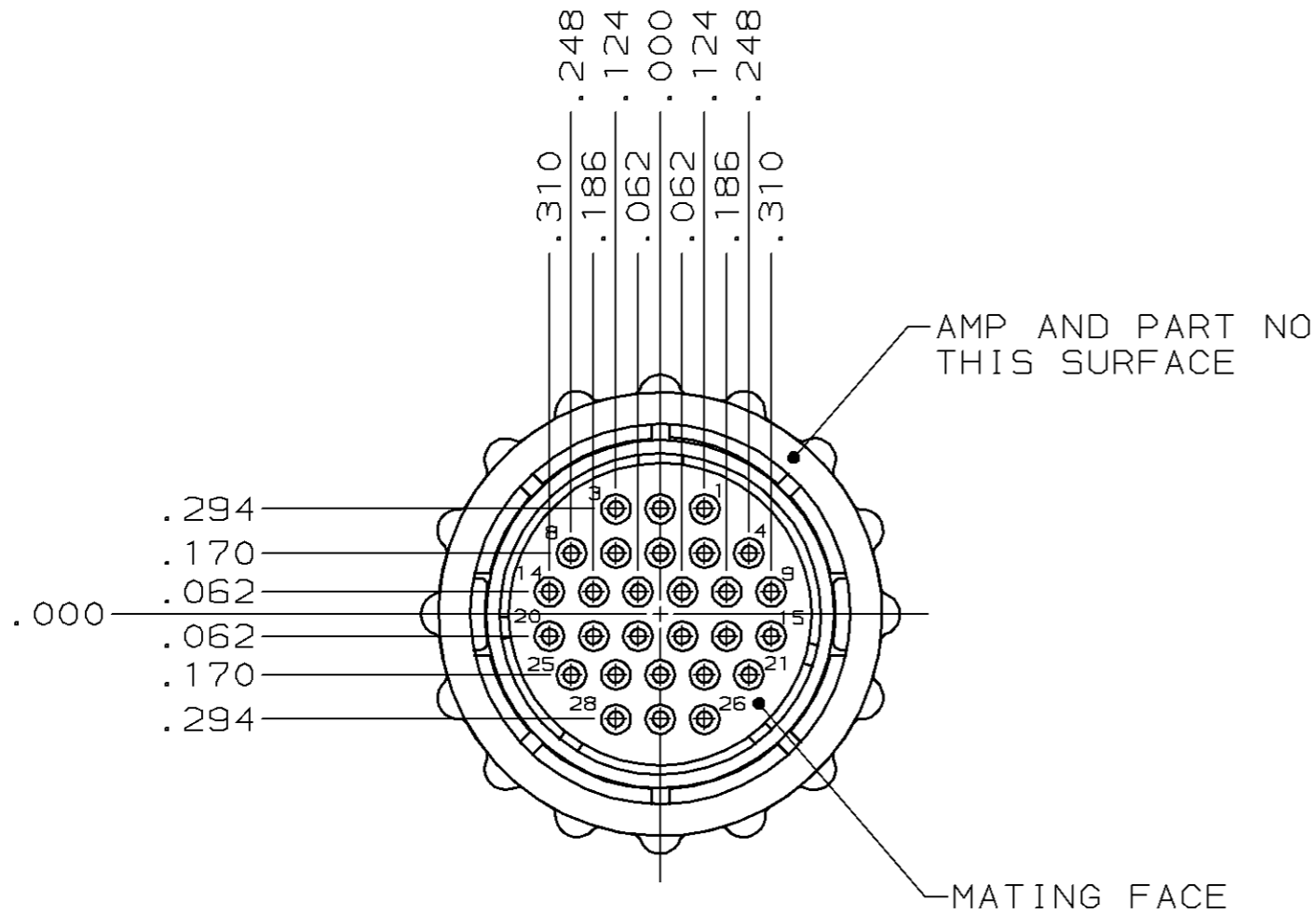


THIS DRAWING IS UNPUBLISHED. RELEASED FOR PUBLICATION, 19  
 © COPYRIGHT 19 BY AMP INCORPORATED. ALL INTERNATIONAL RIGHTS RESERVED.

LOC	DIST	P	F	REVISIONS				
				ZONE	LTR	DESCRIPTION	DATE	APPD
FT	4				F	REDRAWN	4/1/91	KB
					F1	ADDED -4 NPR 4832	07/06/93	AF
					G	REV PER EC 0020-568-95	19 JUL 95	AF
					H	REV PER EC 0320-244-97	06 OCT 97	KD



SMALL PACK	205839-4
STANDARD	205839-3
PACKAGING	PART NUMBER

- CONTACT CAVITIES IDENTIFIED BY CHARACTERS ON FRONT AND REAR FACES OF CONNECTOR.
- WILL ACCEPT (28) SIZE 20 SOCKET CONTACTS.

DO NOT SCALE PRINT. UNLESS SPECIFIED DIMENSIONS IN INCHES TOLERANCES ON: 2 PLC DEC ± - 3 PLC DEC ± .005 ANGLES ± -	DR 4/1/91 A.STAUB BG	<b>AMP</b> AMP Incorporated Harrisburg, PA 17105-3608		
	CHK 7-23-92 W.G.LENKER			
	MATERIAL SEE CALLOUTS	APPD 7-23-92 K.BEAVER	NAME PLUG ASSEMBLY, STD SEX, SERIES 2, 17-28, CPC	
	FINISH -	APPD 7-23-92 C.ROHDE		
	PRODUCT SPEC 108-10024	SIZE <b>B</b>	CAGE CODE 00779	DRAWING NO 205839
	APPLICATION SPEC -	SCALE 2:1	SHEET 1 OF 1	
	WEIGHT -			